

2130 LEO AVENUE • LOS ANGELES, CALIFORNIA • 90040-1634
TELEPHONE (213) 722-7500 • TWX 910-321-2355 • FAX (213) 722-8207

A Wheelabrator Technologies Company

November 30, 1992

Ms. Paula Bisson, Chief
Arizona, Nevada, Pacific Island Section
UNITED STATES ENVIRONMENTAL PROTECTION AGENCY
Region IX
75 Hawthorne Street
San Francisco, CA 94105-3901

RE: Westates Carbon-Arizona, Inc. ("Westates")
U.S. EPA ID No. AZD982441263

Dear Ms. Bisson:

Please find enclosed a revised Part A Permit Application for Westates Carbon-Arizona, Inc. (ID No. AZD982441263). This revision contains the corrections/additions you requested after reviewing the revised application when it was initially submitted in September 1992.

As was stated in our September submittal, the purpose of this revision is to expand the list of hazardous waste codes so the facility can process a wider range of hazardous spent carbons. No operational changes will be required to handle the materials represented by the added waste codes.

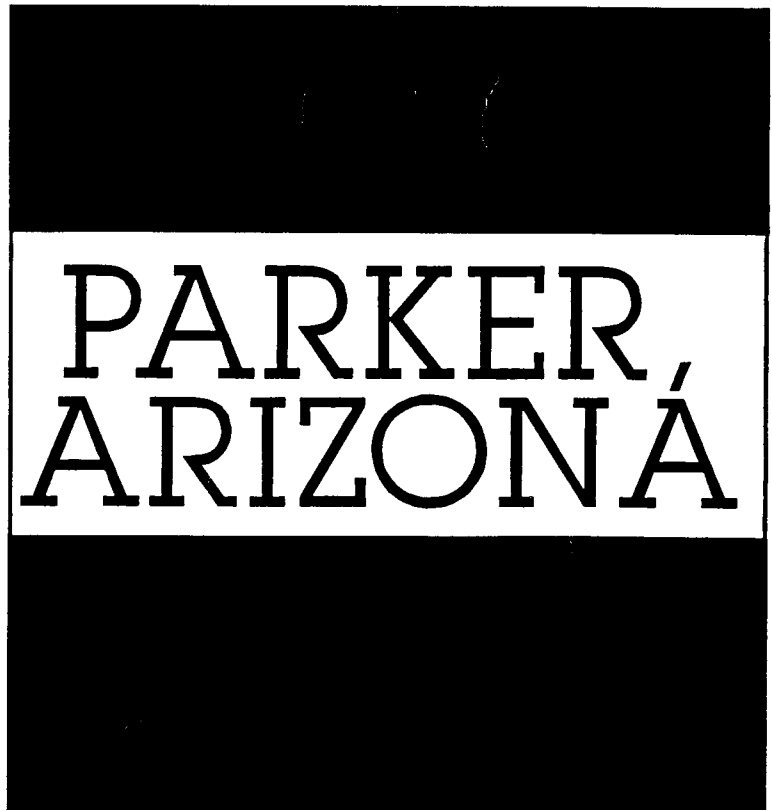
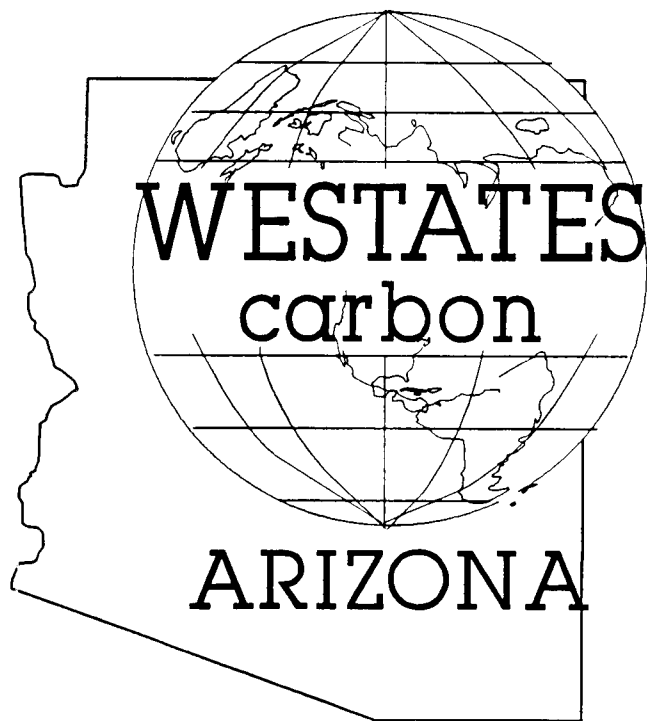
Please feel free to contact me at 602-669-5758 if you have any questions concerning this revision.

Sincerely,
WESTATES CARBON-ARIZONA, INC.

Monte McCue
Plant Manager

cc: V. Hutcheson, w/att - Westates Carbon, Inc.
Daniel Eddy, Jr., Chairman, w/att - Colorado River Indian Tribes

REVISED
RCRA PART A
PERMIT
APPLICATION



A Wheelabrator Technologies Company

NOVEMBER 1992

REVISED RCRA

PART A

PERMIT APPLICATION

FOR

WESTATES CARBON - ARIZONA, INC.

PARKER REACTIVATION FACILITY

PREPARED BY


SEC DONOHUE

BIRMINGHAM, ALABAMA

NOVEMBER 1992

TABLE OF CONTENTS

<u>TAB</u>	<u>DESCRIPTION</u>
1	REVISED RCRA PART PERMIT APPLICATION FORM
2	INDEX OF ATTACHMENTS
3	ATTACHMENT A: Item VIII--Facility Owner
4	ATTACHMENT B: Item XV--Map
5	ATTACHMENT C: Item XVI--Facility Drawing
6	ATTACHMENT D: Item XVII--Photographs

For EPA Regional Use Only	 United States Environmental Protection Agency Washington, DC 20460 <h2 style="margin: 0;">Hazardous Waste Permit</h2> <h2 style="margin: 0;">Application</h2> <h3 style="margin: 0;">Part A</h3> <p style="font-size: small; margin: 5px 0;">(Read the instructions before starting)</p>	For State Use Only
Date Received Month: <input type="text"/> Day: <input type="text"/> Year: <input type="text"/>		

I. ID Number(s)

A. EPA ID Number	B. Secondary ID Number (if applicable)
A Z D 9 8 2 4 4 1 2 6 3	

II. Name of Facility

W E S T A T E S C A R B O N - A R I Z O N A I N C .

III. Facility Location (City, Street, P.O. Box or Route Number)

A. Street

2 5 2 3 M U T A H A R S T R E E T
Street (continued)

City or Town **State** **ZIP Code**

A R K E R	A Z	8 5 3 4 4 -
-----------	-----	-------------

County Code (if known) **County Name**

L A P A Z	
-----------	--

B. Land Type (enter code)	C. Geographic Location	D. Facility Existence Date
I	LATITUDE (degrees, minutes, & seconds) 3 4 0 7 5 0 N LONGITUDE (degrees, minutes, & seconds) 1 1 4 1 6 2 2 W	Month Day 0 8 0 5 1 9 9 1

IV. Facility Mailing Address

Street or P.O. Box

2 2 5 0 T U B E W A Y A V E N U E

City or Town **State** **ZIP Code**

L O S A N G E L E S	C A	9 0 0 4 0 -
---------------------	-----	-------------

V. Facility Contact (Person to be contacted regarding waste activities at facility)

Name (last)	(first)
H U T C H E S O N	V I C T O R
Job Title	Phone Number (area code and number)
E X E C . V I C E P R E S .	2 1 3 - 7 2 2 - 7 5 0 0

VI. Facility Contact Address (See Instructions)

Contact Address Location	<input checked="" type="checkbox"/>	B. Street or P.O. Box

EPA ID Number (enter from page 1)	Secondary ID Number (enter from page 1)
A Z D 9 8 2 4 4 1 2 6 3	

VII. Operator Information (see Instructions)

Name of Operator											
W E S T A T E S C A R B O N - A R I Z O N A I N C .											
Street or P.O. Box											
2 2 5 0 T U B E W A Y A V E N U E											
City or Town						State		ZIP Code			
L O S A N G E L E S						C A		9 0 0 4 0 -			
Phone Number (area code and number)						B. Operator Type		C. Change of Operator Indicator		Date Changed	
2 1 3 - 7 2 2 - 7 5 0 0						P		Yes <input type="checkbox"/> No <input checked="" type="checkbox"/>			

VIII. Facility Owner (see Instructions)

A. Name of Facility (Legal Owner)											
S E E A T T A C H M E N T A											
Street or P.O. Box											
City or Town						State		ZIP Code			
								-			
Phone Number (area code and number)						B. Owner Type		C. Change of Owner Indicator		Date Changed	
- -								Yes <input type="checkbox"/> No <input checked="" type="checkbox"/>			

IX. SIC Code (enter number of significant)

Primary						Secondary					
2	8	1	9	(description)	IND. INORGANIC CHEM, NEC	2	8	9	9	(description)	CHEM & CHEM PREP, NEC
3	5	6	4	(description)	AIR PURIFICATION EQUIPMENT					(description)	

X. Other Environmental Permits (see Instructions)

A. Permit Type (enter code)	B. Permit Number	C. Description
E	1 0 0 1 - 9 1	MUNICIPAL INDUST. SEWER DISCHG. PERMIT
P	E X E M P T	PSD PERMIT (Minor Source)
E	B 1 1 2 2 - C R 3 0. 7	CRIT ENVIRONMENT PERMIT

A Z D 9 8 2 4 4 1 2 6 3

Westates Carbon-Arizona, Inc. will receive spent (used) activated carbon from its customers. These spent carbons will arrive at the Parker facility in a variety of DOT approved containers; including: barrels, drums, portable tanks, bulk-bags and bulk truck units. Some, but not all, spent carbons will be received as manifested hazardous waste materials.

Received spent carbons are thermally reactivated in one of two furnaces. Reactivated carbons are certified non-hazardous and then shipped for recycling and/or reuse. This reactivation process is sketched in a Schematic Block Process Flow Diagram attached as Drawing #100606.

Incidental to the reactivation process is the management of container storage (area S01); slurry storage tanks (area S02); slurry transfer water systems, sewer water surge tank and rainwater collection system (area T04); and reactivation and reactivation off-gas treatment (area T04); and the non-hazardous reactivated carbon storage/shipping

II. Process Code and Design Capacity

PROCESS CODE: Choose the code from the list of process codes below that best describes each process to be used on this form. If a separate sheet of paper is needed, attach a separate sheet of paper with the process code and a description of the process. If a code below does not describe the process, include the code below, then describe the process (including a description of the process).

DESIGN CAPACITY: Enter the design capacity of the process. If the capacity is not applicable (such as in a closure/possession), enter "N/A".

UNIT OF MEASURE: Enter the unit of measure for the process. If the unit of measure is not applicable, enter "N/A".

APPROPRIATE UNITS OF MEASURE FOR PROCESS DESIGN CAPACITY: Enter the appropriate units of measure for the process design capacity.

PROCESS CODE	PROCESS	APPROPRIATE UNITS OF MEASURE FOR PROCESS DESIGN CAPACITY	UNIT OF MEASURE	UNIT OF MEASURE CODE
DISPOSAL:				
D79	INJECTION WELL	GALLONS; LITERS; GALLONS PER DAY; OR LITERS PER DAY	GALLONS	G
D80	LANDFILL	ACRE-FEET OR HECTARE-METER	GALLONS PER HOUR	E
D81	LAND APPLICATION	ACRES OR HECTARES	GALLONS PER DAY	U
D82	OCEAN DISPOSAL	GALLONS PER DAY OR LITERS PER DAY	LITERS	L
D83	SURFACE IMPOUNDMENT	GALLONS OR LITERS	LITERS PER HOUR	H
STORAGE:				
S01	CONTAINER (barrel, drum, etc.)	GALLONS OR LITERS	LITERS PER DAY	V
S02	TANK	GALLONS OR LITERS	SHORT TONS PER HOUR	D
S03	WASTE PILE	CUBIC YARDS OR CUBIC METERS	METRIC TONS PER HOUR	W
S04	SURFACE IMPOUNDMENT	GALLONS OR LITERS	SHORT TONS PER DAY	N
TREATMENT:				
T01	TANK	GALLONS PER DAY OR LITERS PER DAY	METRIC TONS PER DAY	S
T02	SURFACE IMPOUNDMENT	GALLONS PER DAY OR LITERS PER DAY	POUNDS PER HOUR	J
T03	INCINERATOR	SHORT TONS PER HOUR; METRIC TONS PER HOUR; GALLONS PER HOUR; LITERS PER HOUR; OR BTU'S PER HOUR	KILOGRAMS PER HOUR	R
OTHER TREATMENT				
T04	(Use for physical, chemical, thermal or biological treatment processes not occurring in tanks, surface impoundment or incinerators. Describe the processes in the space provided in Item XIII.)	GALLONS PER DAY; LITERS PER DAY; POUNDS PER HOUR; SHORT TONS PER HOUR; KILOGRAMS PER HOUR; METRIC TONS PER DAY; METRIC TONS PER HOUR; OR SHORT TONS PER DAY	CUBIC YARDS	Y
			CUBIC METERS	C
			ACRES	B
			ACRE-FEET	A
			HECTARES	Q
			HECTARE-METER	F
			BTU's PER HOUR	K

EP# ID Number (enter from page 1)

Secondary ID Number (enter from page 1)

A D Z 9 8 2 4 4 1 2 6 3

XII. Process - Codes and Design Capacities (continued)

EXAMPLE FOR COMPLETING ITEM XII (shown in line numbers X-1 and X-2 below): A facility has two storage tanks, one tank can hold 200 gallons and the other can hold 400 gallons. The facility also has an incinerator that can burn up to 20 gallons per hour.

Line Number	A. PROCESS CODE (from list above)			B. PROCESS DESIGN CAPACITY		C. PROCESS TOTAL NUMBER OF UNITS	FOR OFFICIAL USE ONLY				
				1. AMOUNT (specify)	2. UNIT OF MEASURE (enter code)						
X 1	S	0	2	600	G	0	0	2			
X 2	T	0	3	20	E	0	0	1			
1	S	0	1	100,000	G	0	0	1			
2	S	0	2	35,000	G	0	0	5			
3	T	0	4	1,200	J	0	0	2			
4											
5											
6											
7											
8											
9											
10											
11											
12											

NOTE: If you need to list more than 12 process codes, attach an additional sheet(s) with the information in the same format as above. Number the lines sequentially, taking into account any lines that will be used for additional treatment processes in Item XII.

XIII. Additional Treatment Processes (follow instructions from Item XII)

Line Number (enter numbers in sequence with Item XII)	A. PROCESS CODE			B. TREATMENT PROCESS DESIGN CAPACITY		C. PROCESS TOTAL NUMBER OF UNITS	D. DESCRIPTION OF PROCESS		
				1. AMOUNT (specify)	2. UNIT OF MEASURE (enter code)				
X 4	T	0	4	45,000	G	0	0	1	Water storage tank (T-9) used to transfer spent carbon; this is a contact water recycle system.
X 5	T	0	4	35,000	G	0	0	1	Rainwater collection tank (T-12); collects rainwater run-off from warehouse roof and outdoor driveways. Water is used as make-up in T-9 above.
X 6	T	0	4	35,000	G	0	0	1	Industrial sewer water surge tank (T-11); collects scrubber blow-down water for blending prior to discharge to municipal sewer system.
	T	0	4						

EPA I.D. Number (enter from page 1)												Secondary ID Number (enter from page 1)											
A	D	Z	9	8	2	4	4	1	2	6	3												

XIV. Description of Hazardous Wastes

- A. EPA HAZARDOUS WASTE NUMBER** - Enter the four-digit number from 40 CFR, Part 261 Subpart D of each listed hazardous waste you will handle. For hazardous wastes which are not listed in 40 CFR, Part 261 Subpart D, enter the four-digit number(s) from 40 CFR, Part 261 Subpart C that describes the characteristics and/or the toxic contaminants of those hazardous wastes.
- B. ESTIMATED ANNUAL QUANTITY** - For each listed waste entered in column A estimate the quantity of that waste that will be handled on an annual basis. For each characteristic or toxic contaminant entered in column A estimate the total annual quantity of all the non-listed waste(s) that will be handled which possess that characteristic or contaminant.
- C. UNIT OF MEASURE** - For each quantity entered in column B enter the unit of measure code. Units of measure which must be used and the appropriate codes are:

ENGLISH UNIT OF MEASURE	CODE	METRIC UNIT OF MEASURE	CODE
POUNDS	P	KILOGRAMS	K
TONS	T	METRIC TONS	M

If facility records use any other unit of measure for quantity, the units of measure must be converted into one of the required units of measure taking into account the appropriate density or specific gravity of the waste.

D. PROCESSES

1. PROCESS CODES:

For listed hazardous waste: For each listed hazardous waste entered in column A select the code(s) from the list of process codes contained in Item XII A. on page 3 to indicate how the waste will be stored, treated, and/or disposed of at the facility.

For non-listed hazardous waste: For each characteristic or toxic contaminant entered in column A, select the code(s) from the list of process codes contained in Item XII A. on page 3 to indicate all the processes that will be used to store, treat, and/or dispose of all the non-listed hazardous wastes that processes that characteristic or toxic contaminant.

NOTE: THREE SPACES ARE PROVIDED FOR ENTERING PROCESS CODES. IF MORE ARE NEEDED:

1. Enter the first two as described above.
2. Enter "000" in the extreme right box of Item XIV-D(f).
3. Enter in the space provided on page 7, Item XIV-E, the line number and the additional code(s).

2. PROCESS DESCRIPTION: If a code is not listed for a process that will be used, describe the process in the space provided on the form (D.(2)).

NOTE: HAZARDOUS WASTES DESCRIBED BY MORE THAN ONE EPA HAZARDOUS WASTE NUMBER - Hazardous wastes that can be described by more than one EPA Hazardous Waste Number shall be described on the form as follows:

1. Select one of the EPA Hazardous Waste Numbers and enter it in column A. On the same line complete columns B, C, and D by estimating the total annual quantity of the waste and describing all the processes to be used to treat, store, and/or dispose of the waste.
2. In column A of the next line enter the other EPA Hazardous Waste Number that can be used to describe the waste. In column D(2) on that line enter "Included with above" and make no other entries on that line.
3. Repeat step 2 for each EPA Hazardous Waste Number that can be used to describe the hazardous waste.

EXAMPLE FOR COMPLETING ITEM XIV (shown in line numbers X-1, X-2, X-3, and X-4 below) - A facility will treat and dispose of an estimated 900 pounds per year of chrome shavings from leather tanning and finishing operation. In addition, the facility will treat and dispose of three non-listed wastes. Two wastes are corrosive only and there will be an estimated 200 pounds per year of each waste. The other waste is non-toxic and ignitable and there will be an estimated 100 pounds per year of that waste. Treatment will be in an incinerator and disposal will be in a landfill.

Line Number	A. EPA HAZARD WASTE NO. (enter code)				B. ESTIMATED ANNUAL QUANTITY OF WASTE	C. UNIT OF MEASURE (enter code)	D. PROCESS																
	(1) PROCESS CODES (enter)												(2) PROCESS DESCRIPTION (if a code is not entered in D(1))										
X 1	K	0	5	4	900	P	T	0	3	D	8	0											
X 2	D	0	0	2	400	P	T	0	3	D	8	0											
X 3	D	0	0	1	100	P	T	0	3	D	8	0											
X 4	D	0	0	2																			Included With Above

EPA I.D. Number (enter from page 1)												Secondary ID Number (enter from page 1)											
A	D	Z	9	8	2	4	4	1	2	6	3												

XIV. Description of Hazardous Wastes (continued)

Line Number	A. EPA HAZARDOUS WASTE NO. (enter code)				B. ESTIMATED ANNUAL QUANTITY OF WASTE	C. UNIT OF MEASURE (enter code)	D. PROCESSES											
	(1) PROCESS CODES (enter)												(2) PROCESS DESCRIPTION (if a code is not entered in D(1))					
1	D	0	0	1	5,000	P	S	0	1	S	0	2	T	0	4			
2	D	0	0	4	5,000	P	S	0	1	S	0	2	T	0	4			
3	D	0	0	5	5,000	P	S	0	1	S	0	2	T	0	4			
4	D	0	0	6	5,000	P	S	0	1	S	0	2	T	0	4			
5	D	0	0	7	5,000	P	S	0	1	S	0	2	T	0	4			
6	D	0	0	8	5,000	P	S	0	1	S	0	2	T	0	4			
7	D	0	0	9	5,000	P	S	0	1	S	0	2	T	0	4			
8	D	0	1	0	5,000	P	S	0	1	S	0	2	T	0	4			
9	D	0	1	1	5,000	P	S	0	1	S	0	2	T	0	4			
10	D	0	1	2	5,000	P	S	0	1	S	0	2	T	0	4			
11	D	0	1	3	5,000	P	S	0	1	S	0	2	T	0	4			
12	D	0	1	4	5,000	P	S	0	1	S	0	2	T	0	4			
13	D	0	1	5	5,000	P	S	0	1	S	0	2	T	0	4			
14	D	0	1	6	5,000	P	S	0	1	S	0	2	T	0	4			
15	D	0	1	7	5,000	P	S	0	1	S	0	2	T	0	4			
16	D	0	1	8	500,000	P	S	0	1	S	0	2	T	0	4			
17	D	0	1	9	5,000	P	S	0	1	S	0	2	T	0	4			
18	D	0	2	0	5,000	P	S	0	1	S	0	2	T	0	4			
19	D	0	2	1	5,000	P	S	0	1	S	0	2	T	0	4			
20	D	0	2	2	100,000	P	S	0	1	S	0	2	T	0	4			
21	D	0	2	3	5,000	P	S	0	1	S	0	2	T	0	4			
22	D	0	2	4	5,000	P	S	0	1	S	0	2	T	0	4			
23	D	0	2	5	5,000	P	S	0	1	S	0	2	T	0	4			
24	D	0	2	6	5,000	P	S	0	1	S	0	2	T	0	4			
25	D	0	2	7	5,000	P	S	0	1	S	0	2	T	0	4			
26	D	0	2	8	50,000	P	S	0	1	S	0	2	T	0	4			
27	D	0	2	9	100,000	P	S	0	1	S	0	2	T	0	4			
28	D	0	3	0	5,000	P	S	0	1	S	0	2	T	0	4			
29	D	0	3	1	5,000	P	S	0	1	S	0	2	T	0	4			
30	D	0	3	2	5,000	P	S	0	1	S	0	2	T	0	4			
31	D	0	3	3	5,000	P	S	0	1	S	0	2	T	0	4			
32	D	0	3	4	5,000	P	S	0	1	S	0	2	T	0	4			
33	D	0	3	5	100,000	P	S	0	1	S	0	2	T	0	4			

Please print or type with ELITE type (12 characters per inch) in the unshaded areas only

EPA I.D. Number (enter from page 1)												Secondary ID Number (enter from page 1)											
A	D	Z	9	8	2	4	4	1	2	6	3												

XIV. Description of Hazardous Wastes (continued)

Line Number	A. EPA HAZARDOUS WASTE NO. (enter code)					B. ESTIMATED ANNUAL QUANTITY OF WASTE	C. UNIT OF MEASURE (enter code)	D. PROCESSES											
	(1) PROCESS CODES (enter)												(2) PROCESS DESCRIPTION (if a code is not entered in D(1))						
1	D	0	3	6		5,000	P	S	0	1	S	0	2	T	0	4			
2	D	0	3	7		5,000	P	S	0	1	S	0	2	T	0	4			
3	D	0	3	8		5,000	P	S	0	1	S	0	2	T	0	4			
4	D	0	3	9		500,000	P	S	0	1	S	0	2	T	0	4			
5	D	0	4	0		500,000	P	S	0	1	S	0	2	T	0	4			
6	D	0	4	1		5,000	P	S	0	1	S	0	2	T	0	4			
7	D	0	4	2		5,000	P	S	0	1	S	0	2	T	0	4			
8	D	0	4	3		50,000	P	S	0	1	S	0	2	T	0	4			
9	F	0	0	1		2,000,000	P	S	0	1	S	0	2	T	0	4			
10	F	0	0	2		5,000	P	S	0	1	S	0	2	T	0	4			
11	F	0	0	3		1,500,000	P	S	0	1	S	0	2	T	0	4			
12	F	0	0	4		5,000	P	S	0	1	S	0	2	T	0	4			
13	F	0	0	5		1,500,000	P	S	0	1	S	0	2	T	0	4			
14	F	0	0	6		5,000	P	S	0	1	S	0	2	T	0	4			
15	F	0	1	2		5,000	P	S	0	1	S	0	2	T	0	4			
16	F	0	1	9		5,000	P	S	0	1	S	0	2	T	0	4			
17	F	0	2	0		5,000	P	S	0	1	S	0	2	T	0	4			
18	F	0	2	5		5,000	P	S	0	1	S	0	2	T	0	4			
19	F	0	3	2		5,000	P	S	0	1	S	0	2	T	0	4			
20	F	0	3	5		5,000	P	S	0	1	S	0	2	T	0	4			
21	F	0	3	7		5,000	P	S	0	1	S	0	2	T	0	4			
21	F	0	3	8		5,000	P	S	0	1	S	0	2	T	0	4			
23	F	0	3	9		5,000	P	S	0	1	S	0	2	T	0	4			
24	K	0	0	1		5,000	P	S	0	1	S	0	2	T	0	4			
25	K	0	0	2		5,000	P	S	0	1	S	0	2	T	0	4			
26	K	0	0	3		5,000	P	S	0	1	S	0	2	T	0	4			
27	K	0	0	4		5,000	P	S	0	1	S	0	2	T	0	4			
28	K	0	0	5		5,000	P	S	0	1	S	0	2	T	0	4			
29	K	0	0	6		5,000	P	S	0	1	S	0	2	T	0	4			
30	K	0	0	7		5,000	P	S	0	1	S	0	2	T	0	4			
31	K	0	0	8		5,000	P	S	0	1	S	0	2	T	0	4			
32	K	0	0	9		5,000	P	S	0	1	S	0	2	T	0	4			
33	K	0	1	0		5,000	P	S	0	1	S	0	2	T	0	4			

Please print or type with ELITE type (12 characters per inch) in the unshaded areas only

EPA I.D. Number (enter from page 1)

Secondary ID Number (enter from page 1)

A D Z 9 8 2 4 4 1 2 6 3

Secondary ID Number grid

XIV. Description of Hazardous Wastes (continued)

Line Number	A. EPA HAZARDOUS WASTE NO. (enter code)				B. ESTIMATED ANNUAL QUANTITY OF WASTE	C. UNIT OF MEASURE (enter code)	D. PROCESSES									
	(1) PROCESS CODES (enter)	(2) PROCESS DESCRIPTION (if a code is not entered in D(1))														
1	K	0	1	4	5,000	P	S	0	1	S	0	2	T	0	4	
2	K	0	1	5	5,000	P	S	0	1	S	0	2	T	0	4	
3	K	0	1	6	5,000	P	S	0	1	S	0	2	T	0	4	
4	K	0	1	7	5,000	P	S	0	1	S	0	2	T	0	4	
5	K	0	1	8	5,000	P	S	0	1	S	0	2	T	0	4	
6	K	0	1	9	5,000	P	S	0	1	S	0	2	T	0	4	
7	K	0	2	0	5,000	P	S	0	1	S	0	2	T	0	4	
8	K	0	2	2	5,000	P	S	0	1	S	0	2	T	0	4	
9	K	0	2	3	5,000	P	S	0	1	S	0	2	T	0	4	
10	K	0	2	4	5,000	P	S	0	1	S	0	2	T	0	4	
11	K	0	2	5	5,000	P	S	0	1	S	0	2	T	0	4	
12	K	0	2	6	5,000	P	S	0	1	S	0	2	T	0	4	
13	K	0	2	9	5,000	P	S	0	1	S	0	2	T	0	4	
14	K	0	3	0	5,000	P	S	0	1	S	0	2	T	0	4	
15	K	0	3	1	5,000	P	S	0	1	S	0	2	T	0	4	
16	K	0	3	2	5,000	P	S	0	1	S	0	2	T	0	4	
17	K	0	3	3	5,000	P	S	0	1	S	0	2	T	0	4	
18	K	0	3	4	5,000	P	S	0	1	S	0	2	T	0	4	
19	K	0	3	5	5,000	P	S	0	1	S	0	2	T	0	4	
20	K	0	3	6	5,000	P	S	0	1	S	0	2	T	0	4	
21	K	0	3	7	5,000	P	S	0	1	S	0	2	T	0	4	
22	K	0	3	8	5,000	P	S	0	1	S	0	2	T	0	4	
23	K	0	3	9	5,000	P	S	0	1	S	0	2	T	0	4	
24	K	0	4	0	5,000	P	S	0	1	S	0	2	T	0	4	
25	K	0	4	1	5,000	P	S	0	1	S	0	2	T	0	4	
26	K	0	4	2	5,000	P	S	0	1	S	0	2	T	0	4	
27	K	0	4	6	5,000	P	S	0	1	S	0	2	T	0	4	
28	K	0	4	8	5,000	P	S	0	1	S	0	2	T	0	4	
29	K	0	4	9	5,000	P	S	0	1	S	0	2	T	0	4	
30	K	0	5	0	5,000	P	S	0	1	S	0	2	T	0	4	
31	K	0	5	1	5,000	P	S	0	1	S	0	2	T	0	4	
32	K	0	5	2	5,000	P	S	0	1	S	0	2	T	0	4	
33	K	0	6	1	5,000	P	S	0	1	S	0	2	T	0	4	

Please print or type with ELITE type (12 characters per inch) in the unshaded areas only

EPA I.D. Number (enter from page 1)												Secondary ID Number (enter from page 1)											
A	D	Z	9	8	2	4	4	1	2	6	3												

XIV. Description of Hazardous Wastes (continued)

Line Number	A. EPA HAZARDOUS WASTE NO. (enter code)				B. ESTIMATED ANNUAL QUANTITY OF WASTE	C. UNIT OF MEASURE (enter code)	D. PROCESSES														
							(1) PROCESS CODES (enter)				(2) PROCESS DESCRIPTION (if a code is not entered in D(1))										
1	K	0	6	2	5,000	P	S	0	1	S	0	2	T	0	4						
2	K	0	6	4	5,000	P	S	0	1	S	0	2	T	0	4						
3	K	0	6	5	5,000	P	S	0	1	S	0	2	T	0	4						
4	K	0	6	6	5,000	P	S	0	1	S	0	2	T	0	4						
5	K	0	7	1	5,000	P	S	0	1	S	0	2	T	0	4						
6	K	0	7	3	5,000	P	S	0	1	S	0	2	T	0	4						
7	K	0	8	3	5,000	P	S	0	1	S	0	2	T	0	4						
8	K	0	8	4	5,000	P	S	0	1	S	0	2	T	0	4						
9	K	0	8	5	5,000	P	S	0	1	S	0	2	T	0	4						
10	K	0	8	6	5,000	P	S	0	1	S	0	2	T	0	4						
11	K	0	8	7	5,000	P	S	0	1	S	0	2	T	0	4						
12	K	0	8	8	5,000	P	S	0	1	S	0	2	T	0	4						
13	K	0	9	0	5,000	P	S	0	1	S	0	2	T	0	4						
14	K	0	9	1	5,000	P	S	0	1	S	0	2	T	0	4						
15	K	0	9	3	5,000	P	S	0	1	S	0	2	T	0	4						
16	K	0	9	4	5,000	P	S	0	1	S	0	2	T	0	4						
17	K	0	9	5	5,000	P	S	0	1	S	0	2	T	0	4						
18	K	0	9	6	5,000	P	S	0	1	S	0	2	T	0	4						
19	K	0	9	7	5,000	P	S	0	1	S	0	2	T	0	4						
20	K	0	9	8	5,000	P	S	0	1	S	0	2	T	0	4						
21	K	1	0	0	5,000	P	S	0	1	S	0	2	T	0	4						
22	K	1	0	1	5,000	P	S	0	1	S	0	2	T	0	4						
23	F	1	0	2	5,000	P	S	0	1	S	0	2	T	0	4						
24	K	1	0	3	5,000	P	S	0	1	S	0	2	T	0	4						
25	K	1	0	4	5,000	P	S	0	1	S	0	2	T	0	4						
26	K	1	0	5	5,000	P	S	0	1	S	0	2	T	0	4						
27	K	1	0	6	5,000	P	S	0	1	S	0	2	T	0	4						
28	K	1	1	1	5,000	P	S	0	1	S	0	2	T	0	4						
29	K	1	1	2	5,000	P	S	0	1	S	0	2	T	0	4						
30	K	1	1	3	5,000	P	S	0	1	S	0	2	T	0	4						
31	K	1	1	4	5,000	P	S	0	1	S	0	2	T	0	4						
32	K	1	1	5	5,000	P	S	0	1	S	0	2	T	0	4						
33	K	1	1	6	5,000	P	S	0	1	S	0	2	T	0	4						

Please print or type with ELITE type (12 characters per inch) in the unshaded areas only

EPA I.D. Number (enter from page 1)										Secondary ID Number (enter from page 1)											
A	D	Z	9	8	2	4	4	1	2	6	3										

XIV. Description of Hazardous Wastes (continued)

Line Number	A. EPA HAZARDOUS WASTE NO. (enter code)				B. ESTIMATED ANNUAL QUANTITY OF WASTE	C. UNIT OF MEASURE (enter code)	D. PROCESSES														
							(1) PROCESS CODES (enter)						(2) PROCESS DESCRIPTION (if a code is not entered in D(1))								
1	K	1	1	7	5,000	P	S	0	1	S	0	2	T	0	4						
2	K	1	1	8	5,000	P	S	0	1	S	0	2	T	0	4						
3	K	1	2	4	5,000	P	S	0	1	S	0	2	T	0	4						
4	K	1	2	5	5,000	P	S	0	1	S	0	2	T	0	4						
5	K	1	2	6	5,000	P	S	0	1	S	0	2	T	0	4						
6	P	0	0	1	5,000	P	S	0	1	S	0	2	T	0	4						
7	P	0	0	2	5,000	P	S	0	1	S	0	2	T	0	4						
8	P	0	0	3	5,000	P	S	0	1	S	0	2	T	0	4						
9	P	0	0	4	5,000	P	S	0	1	S	0	2	T	0	4						
10	P	0	0	5	5,000	P	S	0	1	S	0	2	T	0	4						
11	P	0	0	7	5,000	P	S	0	1	S	0	2	T	0	4						
12	P	0	0	8	5,000	P	S	0	1	S	0	2	T	0	4						
13	P	0	1	0	5,000	P	S	0	1	S	0	2	T	0	4						
14	P	0	1	1	5,000	P	S	0	1	S	0	2	T	0	4						
15	P	0	1	2	5,000	P	S	0	1	S	0	2	T	0	4						
16	P	0	1	3	5,000	P	S	0	1	S	0	2	T	0	4						
17	P	0	1	4	5,000	P	S	0	1	S	0	2	T	0	4						
18	P	0	1	5	5,000	P	S	0	1	S	0	2	T	0	4						
19	P	0	1	6	5,000	P	S	0	1	S	0	2	T	0	4						
20	P	0	1	7	5,000	P	S	0	1	S	0	2	T	0	4						
21	P	0	1	8	5,000	P	S	0	1	S	0	2	T	0	4						
22	P	0	2	0	5,000	P	S	0	1	S	0	2	T	0	4						
23	P	0	2	1	5,000	P	S	0	1	S	0	2	T	0	4						
24	P	0	2	2	5,000	P	S	0	1	S	0	2	T	0	4						
25	P	0	2	3	5,000	P	S	0	1	S	0	2	T	0	4						
26	P	0	2	4	5,000	P	S	0	1	S	0	2	T	0	4						
27	P	0	2	6	5,000	P	S	0	1	S	0	2	T	0	4						
28	P	0	2	7	5,000	P	S	0	1	S	0	2	T	0	4						
29	P	0	2	8	5,000	P	S	0	1	S	0	2	T	0	4						
30	P	0	2	9	5,000	P	S	0	1	S	0	2	T	0	4						
31	P	0	3	0	5,000	P	S	0	1	S	0	2	T	0	4						
32	P	0	3	1	5,000	P	S	0	1	S	0	2	T	0	4						
33	P	0	3	3	5,000	P	S	0	1	S	0	2	T	0	4						

Please print or type with ELITE type (12 characters per inch) in the unshaded areas only

EPA I.D. Number (enter from page 1)

Secondary ID Number (enter from page 1)

A D Z 9 8 2 4 4 1 2 6 3

XIV. Description of Hazardous Wastes (continued)

Line Number	A. EPA HAZARDOUS WASTE NO. (enter code)				B. ESTIMATED ANNUAL QUANTITY OF WASTE	C. UNIT OF MEASURE (enter code)	D. PROCESSES									
							(1) PROCESS CODES (enter)				(2) PROCESS DESCRIPTION (if a code is not entered in D(1))					
1	P	0	7	3	5,000	P	S	0	1	S	0	2	T	0	4	
2	P	0	7	4	5,000	P	S	0	1	S	0	2	T	0	4	
3	P	0	7	5	5,000	P	S	0	1	S	0	2	T	0	4	
4	P	0	7	7	5,000	P	S	0	1	S	0	2	T	0	4	
5	P	0	7	8	5,000	P	S	0	1	S	0	2	T	0	4	
6	P	0	8	2	5,000	P	S	0	1	S	0	2	T	0	4	
7	P	0	8	4	5,000	P	S	0	1	S	0	2	T	0	4	
8	P	0	8	5	5,000	P	S	0	1	S	0	2	T	0	4	
9	P	0	8	7	5,000	P	S	0	1	S	0	2	T	0	4	
10	P	0	8	8	5,000	P	S	0	1	S	0	2	T	0	4	
11	P	0	8	9	5,000	P	S	0	1	S	0	2	T	0	4	
12	P	0	9	2	5,000	P	S	0	1	S	0	2	T	0	4	
13	P	0	9	3	5,000	P	S	0	1	S	0	2	T	0	4	
14	P	0	9	4	5,000	P	S	0	1	S	0	2	T	0	4	
15	P	0	9	5	5,000	P	S	0	1	S	0	2	T	0	4	
16	P	0	9	6	5,000	P	S	0	1	S	0	2	T	0	4	
17	P	0	9	7	5,000	P	S	0	1	S	0	2	T	0	4	
18	P	0	9	8	5,000	P	S	0	1	S	0	2	T	0	4	
19	P	0	9	9	5,000	P	S	0	1	S	0	2	T	0	4	
20	P	1	0	1	5,000	P	S	0	1	S	0	2	T	0	4	
21	P	1	0	2	5,000	P	S	0	1	S	0	2	T	0	4	
22	P	1	0	3	5,000	P	S	0	1	S	0	2	T	0	4	
23	P	1	0	4	5,000	P	S	0	1	S	0	2	T	0	4	
24	P	1	0	5	5,000	P	S	0	1	S	0	2	T	0	4	
25	P	1	0	6	5,000	P	S	0	1	S	0	2	T	0	4	
26	P	1	0	8	5,000	P	S	0	1	S	0	2	T	0	4	
27	P	1	0	9	5,000	P	S	0	1	S	0	2	T	0	4	
28	P	1	1	0	5,000	P	S	0	1	S	0	2	T	0	4	
29	P	1	1	3	5,000	P	S	0	1	S	0	2	T	0	4	
30	P	1	1	4	5,000	P	S	0	1	S	0	2	T	0	4	
31	P	1	1	5	5,000	P	S	0	1	S	0	2	T	0	4	
32	P	1	1	6	5,000	P	S	0	1	S	0	2	T	0	4	
33	P	1	1	8	5,000	P	S	0	1	S	0	2	T	0	4	

Please print or type with ELITE type (12 characters per inch) in the unshaded areas only

EPA I.D. Number (enter from page 1)

Secondary ID Number (enter from page 1)

A D Z 9 8 2 4 4 1 2 6 3

XIV. Description of Hazardous Wastes (continued)

Line Number	A. EPA HAZARDOUS WASTE NO. (enter code)				B. ESTIMATED ANNUAL QUANTITY OF WASTE	C. UNIT OF MEASURE (enter code)	D. PROCESSES											
							(1) PROCESS CODES (enter)						(2) PROCESS DESCRIPTION (if a code is not entered in D(1))					
1	P	1	1	9	5,000	P	S	0	1	S	0	2	T	0	4			
2	P	1	2	0	5,000	P	S	0	1	S	0	2	T	0	4			
3	P	1	2	1	5,000	P	S	0	1	S	0	2	T	0	4			
4	P	1	2	3	5,000	P	S	0	1	S	0	2	T	0	4			
5	U	0	0	1	5,000	P	S	0	1	S	0	2	T	0	4			
6	U	0	0	2	5,000	P	S	0	1	S	0	2	T	0	4			
7	U	0	0	3	5,000	P	S	0	1	S	0	2	T	0	4			
8	U	0	0	4	5,000	P	S	0	1	S	0	2	T	0	4			
9	U	0	0	5	5,000	P	S	0	1	S	0	2	T	0	4			
10	U	0	0	7	5,000	P	S	0	1	S	0	2	T	0	4			
11	U	0	0	8	5,000	P	S	0	1	S	0	2	T	0	4			
12	U	0	0	9	5,000	P	S	0	1	S	0	2	T	0	4			
13	U	0	1	0	5,000	P	S	0	1	S	0	2	T	0	4			
14	U	0	1	1	5,000	P	S	0	1	S	0	2	T	0	4			
15	U	0	1	2	5,000	P	S	0	1	S	0	2	T	0	4			
16	U	0	1	4	5,000	P	S	0	1	S	0	2	T	0	4			
17	U	0	1	5	5,000	P	S	0	1	S	0	2	T	0	4			
18	U	0	1	6	5,000	P	S	0	1	S	0	2	T	0	4			
19	U	0	1	7	5,000	P	S	0	1	S	0	2	T	0	4			
20	U	0	1	8	5,000	P	S	0	1	S	0	2	T	0	4			
21	U	0	1	9	5,000	P	S	0	1	S	0	2	T	0	4			
22	U	0	2	1	5,000	P	S	0	1	S	0	2	T	0	4			
23	U	0	2	2	5,000	P	S	0	1	S	0	2	T	0	4			
24	U	0	2	4	5,000	P	S	0	1	S	0	2	T	0	4			
25	U	0	2	5	5,000	P	S	0	1	S	0	2	T	0	4			
26	U	0	2	6	5,000	P	S	0	1	S	0	2	T	0	4			
27	U	0	2	7	5,000	P	S	0	1	S	0	2	T	0	4			
28	U	0	2	8	5,000	P	S	0	1	S	0	2	T	0	4			
29	U	0	2	9	5,000	P	S	0	1	S	0	2	T	0	4			
30	U	0	3	0	5,000	P	S	0	1	S	0	2	T	0	4			
31	U	0	3	1	5,000	P	S	0	1	S	0	2	T	0	4			
32	U	0	3	2	5,000	P	S	0	1	S	0	2	T	0	4			
33	U	0	3	4	5,000	P	S	0	1	S	0	2	T	0	4			

Please print or type with ELITE type (12 characters per inch) in the unshaded areas only

EPA I.D. Number (enter from page 1)

Secondary ID Number (enter from page 1)

A D Z 9 8 2 4 4 1 2 6 3

[Empty grid for Secondary ID Number]

XIV. Description of Hazardous Wastes (continued)

Line Number	A. EPA HAZARDOUS WASTE NO. (enter code)				B. ESTIMATED ANNUAL QUANTITY OF WASTE	C. UNIT OF MEASURE (enter code)	D. PROCESSES									
	(1) PROCESS CODES (enter)	(2) PROCESS DESCRIPTION (if a code is not entered in D(1))														
1	U	0	3	5	5,000	P	S	0	1	S	0	2	T	0	4	
2	U	0	3	6	5,000	P	S	0	1	S	0	2	T	0	4	
3	U	0	3	7	5,000	P	S	0	1	S	0	2	T	0	4	
4	U	0	3	8	5,000	P	S	0	1	S	0	2	T	0	4	
5	U	0	3	9	5,000	P	S	0	1	S	0	2	T	0	4	
6	U	0	4	1	5,000	P	S	0	1	S	0	2	T	0	4	
7	U	0	4	2	5,000	P	S	0	1	S	0	2	T	0	4	
8	U	0	4	3	5,000	P	S	0	1	S	0	2	T	0	4	
9	U	0	4	4	5,000	P	S	0	1	S	0	2	T	0	4	
10	U	0	4	5	5,000	P	S	0	1	S	0	2	T	0	4	
11	U	0	4	6	5,000	P	S	0	1	S	0	2	T	0	4	
12	U	0	4	7	5,000	P	S	0	1	S	0	2	T	0	4	
13	U	0	4	8	5,000	P	S	0	1	S	0	2	T	0	4	
14	U	0	4	9	5,000	P	S	0	1	S	0	2	T	0	4	
15	U	0	5	0	5,000	P	S	0	1	S	0	2	T	0	4	
16	U	0	5	1	5,000	P	S	0	1	S	0	2	T	0	4	
17	U	0	5	2	5,000	P	S	0	1	S	0	2	T	0	4	
18	U	0	5	3	5,000	P	S	0	1	S	0	2	T	0	4	
19	U	0	5	5	5,000	P	S	0	1	S	0	2	T	0	4	
20	U	0	5	6	5,000	P	S	0	1	S	0	2	T	0	4	
21	U	0	5	7	5,000	P	S	0	1	S	0	2	T	0	4	
22	U	0	5	8	5,000	P	S	0	1	S	0	2	T	0	4	
23	U	0	5	9	5,000	P	S	0	1	S	0	2	T	0	4	
24	U	0	6	0	5,000	P	S	0	1	S	0	2	T	0	4	
25	U	0	6	1	5,000	P	S	0	1	S	0	2	T	0	4	
26	U	0	6	2	5,000	P	S	0	1	S	0	2	T	0	4	
27	U	0	6	3	5,000	P	S	0	1	S	0	2	T	0	4	
28	U	0	6	4	5,000	P	S	0	1	S	0	2	T	0	4	
29	U	0	6	6	5,000	P	S	0	1	S	0	2	T	0	4	
30	U	0	6	7	5,000	P	S	0	1	S	0	2	T	0	4	
31	U	0	6	8	5,000	P	S	0	1	S	0	2	T	0	4	
32	U	0	6	9	5,000	P	S	0	1	S	0	2	T	0	4	
33	U	0	7	0	5,000	P	S	0	1	S	0	2	T	0	4	

Please print or type with ELITE type (12 characters per inch) in the unshaded areas only

EPA I.D. Number (enter from page 1)											Secondary ID Number (enter from page 1)													
A	D	Z	9	8	2	4	4	1	2	6	3													

XIV. Description of Hazardous Wastes (continued)

Line Number	A. EPA HAZARDOUS WASTE NO. (enter code)				B. ESTIMATED ANNUAL QUANTITY OF WASTE	C. UNIT OF MEASURE (enter code)	D. PROCESSES											
	(1) PROCESS CODES (enter)												(2) PROCESS DESCRIPTION (if a code is not entered in D(1))					
1	U	0	7	1	5,000	P	S	0	1	S	0	2	T	0	4			
2	U	0	7	2	5,000	P	S	0	1	S	0	2	T	0	4			
3	U	0	7	3	5,000	P	S	0	1	S	0	2	T	0	4			
4	U	0	7	4	5,000	P	S	0	1	S	0	2	T	0	4			
5	U	0	7	5	5,000	P	S	0	1	S	0	2	T	0	4			
6	U	0	7	6	5,000	P	S	0	1	S	0	2	T	0	4			
7	U	0	7	7	5,000	P	S	0	1	S	0	2	T	0	4			
8	U	0	7	8	5,000	P	S	0	1	S	0	2	T	0	4			
9	U	0	7	9	5,000	P	S	0	1	S	0	2	T	0	4			
10	U	0	8	0	5,000	P	S	0	1	S	0	2	T	0	4			
11	U	0	8	1	5,000	P	S	0	1	S	0	2	T	0	4			
12	U	0	8	2	5,000	P	S	0	1	S	0	2	T	0	4			
13	U	0	8	3	5,000	P	S	0	1	S	0	2	T	0	4			
14	U	0	8	4	5,000	P	S	0	1	S	0	2	T	0	4			
15	U	0	8	5	5,000	P	S	0	1	S	0	2	T	0	4			
16	U	0	8	6	5,000	P	S	0	1	S	0	2	T	0	4			
17	U	0	8	7	5,000	P	S	0	1	S	0	2	T	0	4			
18	U	0	8	8	5,000	P	S	0	1	S	0	2	T	0	4			
19	U	0	8	9	5,000	P	S	0	1	S	0	2	T	0	4			
20	U	0	9	0	5,000	P	S	0	1	S	0	2	T	0	4			
21	U	0	9	1	5,000	P	S	0	1	S	0	2	T	0	4			
22	U	0	9	2	5,000	P	S	0	1	S	0	2	T	0	4			
23	U	0	9	3	5,000	P	S	0	1	S	0	2	T	0	4			
24	U	0	9	4	5,000	P	S	0	1	S	0	2	T	0	4			
25	U	0	9	5	5,000	P	S	0	1	S	0	2	T	0	4			
26	U	0	9	7	5,000	P	S	0	1	S	0	2	T	0	4			
27	U	0	9	8	5,000	P	S	0	1	S	0	2	T	0	4			
28	U	0	9	9	5,000	P	S	0	1	S	0	2	T	0	4			
29	U	1	0	1	5,000	P	S	0	1	S	0	2	T	0	4			
30	U	1	0	2	5,000	P	S	0	1	S	0	2	T	0	4			
31	U	1	0	3	5,000	P	S	0	1	S	0	2	T	0	4			
32	U	1	0	5	5,000	P	S	0	1	S	0	2	T	0	4			
33	U	1	0	6	5,000	P	S	0	1	S	0	2	T	0	4			

Please print or type with ELITE type (12 characters per inch) in the unshaded areas only

EPA I.D. Number (enter from page 1)												Secondary ID Number (enter from page 1)											
A	D	Z	9	8	2	4	4	1	2	6	3												

XIV. Description of Hazardous Wastes (continued)

Line Number	A. EPA HAZARDOUS WASTE NO. (enter code)				B. ESTIMATED ANNUAL QUANTITY OF WASTE	C. UNIT OF MEASURE (enter code)	D. PROCESSES											
	(1) PROCESS CODES (enter)												(2) PROCESS DESCRIPTION (if a code is not entered in D(1))					
1	U	1	0	7	5,000	P	S	0	1	S	0	2	T	0	4			
2	U	1	0	8	5,000	P	S	0	1	S	0	2	T	0	4			
3	U	1	0	9	5,000	P	S	0	1	S	0	2	T	0	4			
4	U	1	1	0	5,000	P	S	0	1	S	0	2	T	0	4			
5	U	1	1	1	5,000	P	S	0	1	S	0	2	T	0	4			
6	U	1	1	2	5,000	P	S	0	1	S	0	2	T	0	4			
7	U	1	1	3	5,000	P	S	0	1	S	0	2	T	0	4			
8	U	1	1	4	5,000	P	S	0	1	S	0	2	T	0	4			
9	U	1	1	5	5,000	P	S	0	1	S	0	2	T	0	4			
10	U	1	1	6	5,000	P	S	0	1	S	0	2	T	0	4			
11	U	1	1	7	5,000	P	S	0	1	S	0	2	T	0	4			
12	U	1	1	8	5,000	P	S	0	1	S	0	2	T	0	4			
13	U	1	1	9	5,000	P	S	0	1	S	0	2	T	0	4			
14	U	1	2	0	5,000	P	S	0	1	S	0	2	T	0	4			
15	U	1	2	1	5,000	P	S	0	1	S	0	2	T	0	4			
16	U	1	2	2	5,000	P	S	0	1	S	0	2	T	0	4			
17	U	1	2	4	5,000	P	S	0	1	S	0	2	T	0	4			
18	U	1	2	5	5,000	P	S	0	1	S	0	2	T	0	4			
19	U	1	2	6	5,000	P	S	0	1	S	0	2	T	0	4			
20	U	1	2	7	5,000	P	S	0	1	S	0	2	T	0	4			
21	U	1	2	8	5,000	P	S	0	1	S	0	2	T	0	4			
22	U	1	2	9	5,000	P	S	0	1	S	0	2	T	0	4			
23	U	1	3	0	5,000	P	S	0	1	S	0	2	T	0	4			
24	U	1	3	1	5,000	P	S	0	1	S	0	2	T	0	4			
25	U	1	3	2	5,000	P	S	0	1	S	0	2	T	0	4			
26	U	1	3	5	5,000	P	S	0	1	S	0	2	T	0	4			
27	U	1	3	6	5,000	P	S	0	1	S	0	2	T	0	4			
28	U	1	3	7	5,000	P	S	0	1	S	0	2	T	0	4			
29	U	1	3	8	5,000	P	S	0	1	S	0	2	T	0	4			
30	U	1	4	0	5,000	P	S	0	1	S	0	2	T	0	4			
31	U	1	4	1	5,000	P	S	0	1	S	0	2	T	0	4			
32	U	1	4	2	5,000	P	S	0	1	S	0	2	T	0	4			
33	U	1	4	3	5,000	P	S	0	1	S	0	2	T	0	4			

Please print or type with ELITE type (12 characters per inch) in the unshaded areas only

EPA I.D. Number (enter from page 1)

Secondary ID Number (enter from page 1)

A D Z 9 8 2 4 4 1 2 6 3

XIV. Description of Hazardous Wastes (continued)

Line Number	A. EPA HAZARDOUS WASTE NO. (enter code)	B. ESTIMATED ANNUAL QUANTITY OF WASTE	C. UNIT OF MEASURE (enter code)	D. PROCESSES									
				(1) PROCESS CODES (enter)					(2) PROCESS DESCRIPTION (if a code is not entered in D(1))				
1	U 1 4 4	5,000	P	S	0	1	S	0	2	T	0	4	
2	U 1 4 5	5,000	P	S	0	1	S	0	2	T	0	4	
3	U 1 4 6	5,000	P	S	0	1	S	0	2	T	0	4	
4	U 1 4 7	5,000	P	S	0	1	S	0	2	T	0	4	
5	U 1 4 8	5,000	P	S	0	1	S	0	2	T	0	4	
6	U 1 4 9	5,000	P	S	0	1	S	0	2	T	0	4	
7	U 1 5 0	5,000	P	S	0	1	S	0	2	T	0	4	
8	U 1 5 1	5,000	P	S	0	1	S	0	2	T	0	4	
9	U 1 5 2	5,000	P	S	0	1	S	0	2	T	0	4	
10	U 1 5 3	5,000	P	S	0	1	S	0	2	T	0	4	
11	U 1 5 4	5,000	P	S	0	1	S	0	2	T	0	4	
12	U 1 5 5	5,000	P	S	0	1	S	0	2	T	0	4	
13	U 1 5 6	5,000	P	S	0	1	S	0	2	T	0	4	
14	U 1 5 7	5,000	P	S	0	1	S	0	2	T	0	4	
15	U 1 5 8	5,000	P	S	0	1	S	0	2	T	0	4	
16	U 1 5 9	5,000	P	S	0	1	S	0	2	T	0	4	
17	U 1 6 1	5,000	P	S	0	1	S	0	2	T	0	4	
18	U 1 6 2	5,000	P	S	0	1	S	0	2	T	0	4	
19	U 1 6 3	5,000	P	S	0	1	S	0	2	T	0	4	
20	U 1 6 4	5,000	P	S	0	1	S	0	2	T	0	4	
21	U 1 6 5	5,000	P	S	0	1	S	0	2	T	0	4	
22	U 1 6 6	5,000	P	S	0	1	S	0	2	T	0	4	
23	U 1 6 7	5,000	P	S	0	1	S	0	2	T	0	4	
24	U 1 6 8	5,000	P	S	0	1	S	0	2	T	0	4	
25	U 1 6 9	5,000	P	S	0	1	S	0	2	T	0	4	
26	U 1 7 0	5,000	P	S	0	1	S	0	2	T	0	4	
27	U 1 7 1	5,000	P	S	0	1	S	0	2	T	0	4	
28	U 1 7 2	5,000	P	S	0	1	S	0	2	T	0	4	
29	U 1 7 3	5,000	P	S	0	1	S	0	2	T	0	4	
30	U 1 7 4	5,000	P	S	0	1	S	0	2	T	0	4	
31	U 1 7 6	5,000	P	S	0	1	S	0	2	T	0	4	
32	U 1 7 7	5,000	P	S	0	1	S	0	2	T	0	4	
33	U 1 7 8	5,000	P	S	0	1	S	0	2	T	0	4	

EPA I.D. Number (enter from page 1)

Secondary ID Number (enter from page 1)

A D Z 9 8 2 4 4 1 2 6 3

XIV. Description of Hazardous Wastes (continued)

Line Number	A. EPA HAZARDOUS WASTE NO. (enter code)	B. ESTIMATED ANNUAL QUANTITY OF WASTE	C. UNIT OF MEASURE (enter code)	D. PROCESSES									
				(1) PROCESS CODES (enter)					(2) PROCESS DESCRIPTION (if a code is not entered in D(1))				
1	U 1 7 9	5,000	P	S	0	1	S	0	2	T	0	4	
2	U 1 8 0	5,000	P	S	0	1	S	0	2	T	0	4	
3	U 1 8 1	5,000	P	S	0	1	S	0	2	T	0	4	
4	U 1 8 2	5,000	P	S	0	1	S	0	2	T	0	4	
5	U 1 8 3	5,000	P	S	0	1	S	0	2	T	0	4	
6	U 1 8 4	5,000	P	S	0	1	S	0	2	T	0	4	
7	U 1 8 5	5,000	P	S	0	1	S	0	2	T	0	4	
8	U 1 8 6	5,000	P	S	0	1	S	0	2	T	0	4	
9	U 1 8 7	5,000	P	S	0	1	S	0	2	T	0	4	
10	U 1 8 8	5,000	P	S	0	1	S	0	2	T	0	4	
11	U 1 9 0	5,000	P	S	0	1	S	0	2	T	0	4	
12	U 1 9 1	5,000	P	S	0	1	S	0	2	T	0	4	
13	U 1 9 2	5,000	P	S	0	1	S	0	2	T	0	4	
14	U 1 9 3	5,000	P	S	0	1	S	0	2	T	0	4	
15	U 1 9 4	5,000	P	S	0	1	S	0	2	T	0	4	
16	U 1 9 6	5,000	P	S	0	1	S	0	2	T	0	4	
17	U 1 9 7	5,000	P	S	0	1	S	0	2	T	0	4	
18	U 2 0 0	5,000	P	S	0	1	S	0	2	T	0	4	
19	U 2 0 1	5,000	P	S	0	1	S	0	2	T	0	4	
20	U 2 0 2	5,000	P	S	0	1	S	0	2	T	0	4	
21	U 2 0 3	5,000	P	S	0	1	S	0	2	T	0	4	
22	U 2 0 4	5,000	P	S	0	1	S	0	2	T	0	4	
23	U 2 0 6	5,000	P	S	0	1	S	0	2	T	0	4	
24	U 2 0 7	5,000	P	S	0	1	S	0	2	T	0	4	
25	U 2 0 8	5,000	P	S	0	1	S	0	2	T	0	4	
26	U 2 0 9	5,000	P	S	0	1	S	0	2	T	0	4	
27	U 2 1 0	5,000	P	S	0	1	S	0	2	T	0	4	
28	U 2 1 1	5,000	P	S	0	1	S	0	2	T	0	4	
29	U 2 1 3	5,000	P	S	0	1	S	0	2	T	0	4	
30	U 2 1 4	5,000	P	S	0	1	S	0	2	T	0	4	
31	U 2 1 5	5,000	P	S	0	1	S	0	2	T	0	4	
32	U 2 1 6	5,000	P	S	0	1	S	0	2	T	0	4	
33	U 2 1 7	5,000	P	S	0	1	S	0	2	T	0	4	

Please print or type with ELITE type (12 characters per inch) in the unshaded areas only

EPA I.D. Number (enter from page 1)

Secondary ID Number (enter from page 1)

A D Z 9 8 2 4 4 1 2 6 3

XIV. Description of Hazardous Wastes (continued)

Line Number	A. EPA HAZARDOUS WASTE NO. (enter code)				B. ESTIMATED ANNUAL QUANTITY OF WASTE	C. UNIT OF MEASURE (enter code)	D. PROCESSES									
							(1) PROCESS CODES (enter)				(2) PROCESS DESCRIPTION (if a code is not entered in D(1))					
1	U	2	1	8	5,000	P	S	0	1	S	0	2	T	0	4	
2	U	2	1	9	5,000	P	S	0	1	S	0	2	T	0	4	
3	U	2	2	0	5,000	P	S	0	1	S	0	2	T	0	4	
4	U	2	2	1	5,000	P	S	0	1	S	0	2	T	0	4	
5	U	2	2	2	5,000	P	S	0	1	S	0	2	T	0	4	
6	U	2	2	5	5,000	P	S	0	1	S	0	2	T	0	4	
7	U	2	2	6	5,000	P	S	0	1	S	0	2	T	0	4	
8	U	2	2	7	5,000	P	S	0	1	S	0	2	T	0	4	
9	U	2	2	8	5,000	P	S	0	1	S	0	2	T	0	4	
10	U	2	3	5	5,000	P	S	0	1	S	0	2	T	0	4	
11	U	2	3	6	5,000	P	S	0	1	S	0	2	T	0	4	
12	U	2	3	7	5,000	P	S	0	1	S	0	2	T	0	4	
13	U	2	3	8	5,000	P	S	0	1	S	0	2	T	0	4	
14	U	2	3	9	5,000	P	S	0	1	S	0	2	T	0	4	
15	U	2	4	0	5,000	P	S	0	1	S	0	2	T	0	4	
16	U	2	4	3	5,000	P	S	0	1	S	0	2	T	0	4	
17	U	2	4	4	5,000	P	S	0	1	S	0	2	T	0	4	
18	U	2	4	6	5,000	P	S	0	1	S	0	2	T	0	4	
19	U	2	4	7	5,000	P	S	0	1	S	0	2	T	0	4	
20	U	2	4	8	5,000	P	S	0	1	S	0	2	T	0	4	
21	U	2	4	9	5,000	P	S	0	1	S	0	2	T	0	4	
22	U	3	2	8	5,000	P	S	0	1	S	0	2	T	0	4	
23	U	3	5	3	5,000	P	S	0	1	S	0	2	T	0	4	
24	U	3	5	9	5,000	P	S	0	1	S	0	2	T	0	4	
25																
26																
27																
28																
29																
30																
31																
32																
33																

EPA I.D. Number (enter from page 1)

Secondary ID Number (enter from page 1)

A D Z 9 8 2 4 4 1 2 6 3

XIV. Description of Hazardous Waste (continued)

E. USE THIS SPACE TO LIST ADDITIONAL PROCESS CODES FROM ITEM D(1) ON PAGE 6.

Line Number	Additional Process Codes (enter)											

XV. Map

Attach to this application a topographic map of the area extending to at least one mile beyond property boundaries. The map must show the outline of the facility, the location of each of its existing and proposed intake and discharge structures, each of its hazardous waste treatment, storage, or disposal facilities, and each well where it injects fluids underground. Include all springs, rivers and other surface water bodies in this map area. See instructions for precise requirements.

XVI. Facility Drawing

All existing facilities must include a scale drawing of the facility (see instructions for more detail).

XVII. Photographs

All existing facilities must include photographs (aerial or ground-level) that clearly delineate all existing structures; existing storage, treatment and disposal areas; and sites of future storage, treatment or disposal areas (see instructions for more detail).

XVIII. Certification(s)

I certify under penalty of law that this document and all attachments were prepared under my direction or supervision in accordance with a system designed to assure that qualified personnel properly gather and evaluate the information submitted. Based on my inquiry of the person or persons who manage the system, or those persons directly responsible for gathering the information, the information submitted is, to the best of my knowledge and belief, true, accurate, and complete. I am aware that there are significant penalties for submitting false information, including the possibility of fine and imprisonment for knowing violations.

Owner Signature (Property Owner) <i>[Handwritten Signature]</i>	Date Signed NOV 30, 1992
Name and Official Title (type or print) VICE (CHAIRMAN) C.R.T.	
Operator Signature (Facility Owner) <i>[Handwritten Signature]</i>	Date Signed
Name and Official Title (type or print) Dr. Allan Sass, President Westates Carbon--Arizona, Inc.	

XIX. Comments

Index of Attachments follows this page.

Note: Mail completed form to the appropriate EPA Regional or State Office. (refer to instructions for more information)

INDEX OF ATTACHMENTS

<u>Attachment</u>	<u>Description</u>
A	Item VIII -- Facility Owner
B	Item XV -- Map <ol style="list-style-type: none">1. Drawing No. 100604-1 -- Topographical Map 1 - Plant Site2. Drawing No. 100604-2 -- Topographical Map 2 -- Adjacent Lands
C	Item XVI -- Facility Drawing <ol style="list-style-type: none">1. Scale Drawing of Property Layout2. Scale Drawing of Facility Layout (Equipment Location)3. Drawing No. 100606 -- Schematic Process Flow Diagram
D	Item XVII -- Photographs <ol style="list-style-type: none">1. Site Photographs2. Site Aerial Photograph

ATTACHMENT A

ITEM VIII -- FACILITY OWNER

ADDITIONAL INFORMATION

EPA ID NUMBER: AZD82441263

ATTACHMENT A -- ITEM VIII

FACILITY OWNER

NAME OF FACILITY'S LEGAL OWNER:

WESTATES CARBON-ARIZONA, INC.
2250 TUBEWAY AVENUE
LOS ANGELES, CA 90040
TELEPHONE: 213-722-7500

OWNER TYPE - P

NAME OF PROPERTY OWNER:

COLORADO RIVER INDIAN TRIBES
RT - 1, BOX 23 - B
PARKER, AZ 85344
TELEPHONE: 602-669-9211

OWNER TYPE - I

ATTACHMENT B

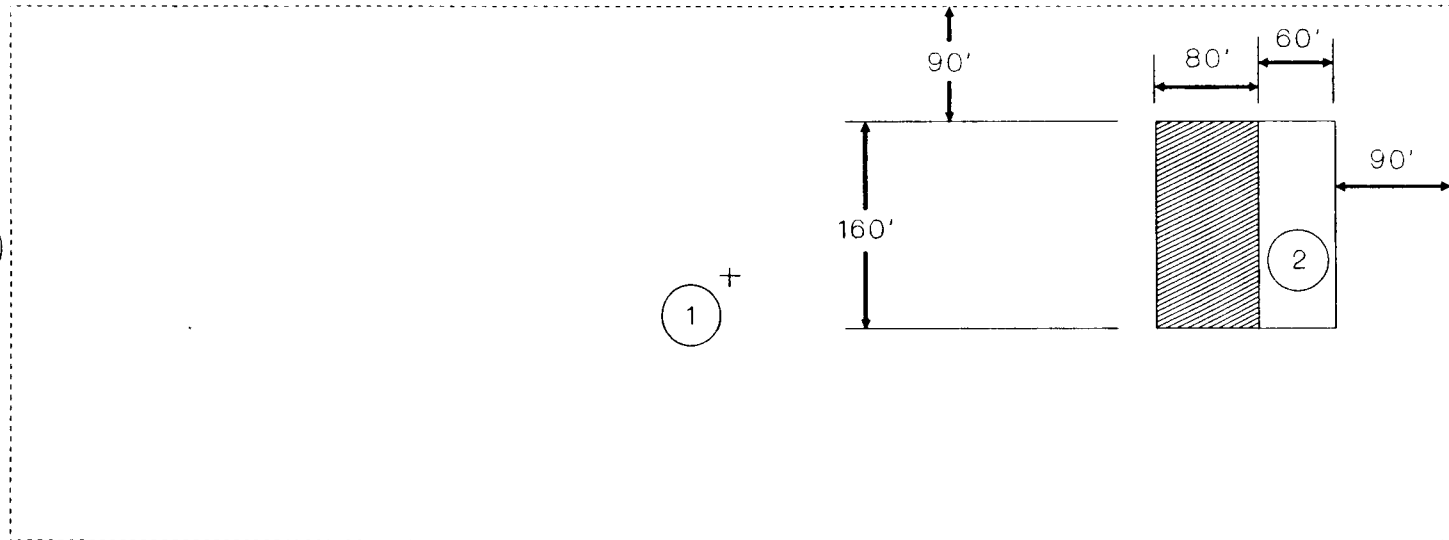
ITEM XV -- MAP

- 1. DRAWING NO. 100604-1 -- TOPOGRAPHICAL MAP 1 - PLANT SITE**
- 2. DRAWING NO. 100604-2 -- TOPOGRAPHICAL MAP 2 - ADJACENT LANDS**


ATTACHMENT C

ITEM XVI -- FACILITY DRAWING

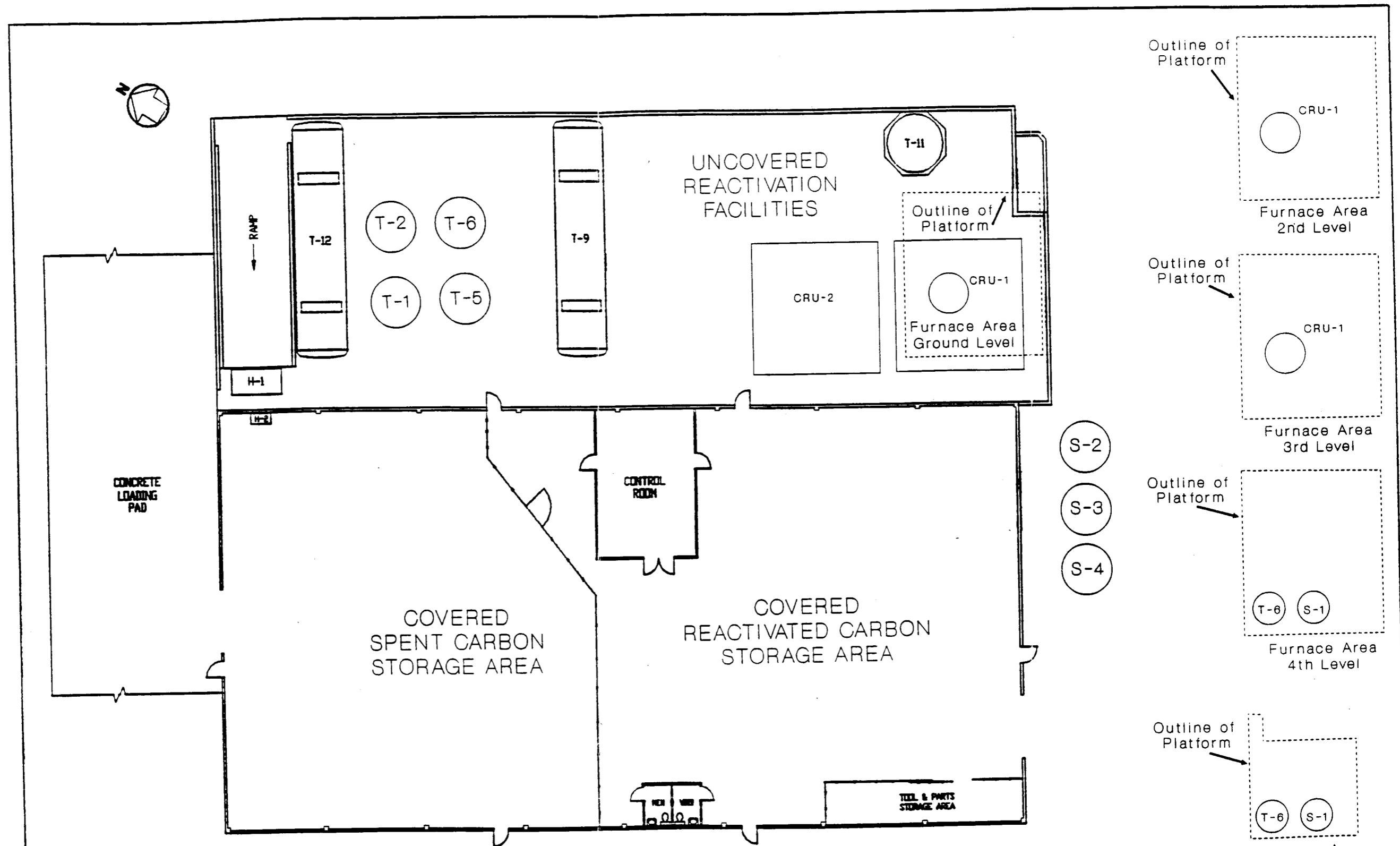
- 1. SCALE DRAWING OF PROPERTY LAYOUT**
- 2. SCALE DRAWING OF FACILITY LAYOUT (EQUIPMENT LOCATION)**
- 3. DRAWING NO. 100606 -- SCHEMATIC PROCESS FLOW DIAGRAM**



LEGEND

- ① CENTER OF PROPERTY IS APPROXIMATELY
N 34°-07'-50" X W 114°-16'-22"
- ② UNCOVERED REACTIVATION FACILITIES
- ③ MUTAHAR STREET
- PROPERTY LINE
-  COVERED STORAGE AND MAINTENANCE FACILITIES

WESTATES CARBON LOS ANGELES, CA 90040	
TITLE: GENERAL PROPERTY LAYOUT REACTIVATION FACILITIES	
Scale 1" = 150'	WESTATES CARBON ARIZONA, INC.
This drawings is the property of Westates Carbon, Inc. and cannot be reproduced nor delivered to others without the written permission of Westates Carbon, Inc.	LOCATION: 2523 MUTAHAR ST. PARKER, ARIZONA 85344



LEGEND	
T-1	Process Feed Tank (Process Code S02; Line No. 2)
T-2	Process Feed Tank (Process Code S02; Line No. 2)
T-5	Process Feed Tank (Process Code S02; Line No. 2)
T-6	Process Feed Tank (Process Code S02; Line No. 2)
T-8	Process Feed Tank (Process Code S02; Line No. 2)
T-9	Water Storage Tank (Process Code T04; Line No. 4)
T-11	Industrial Sewer Water Surge Tank (Process Code T04; Line No. 5)
T-12	Rainwater Collection Tank (Process Code T04; Line No. 5)
CRU-1	Carbon Regeneration Unit (Process Code T04; Line No. 3)
CRU-2	Yet to be Completed Carbon Regeneration Unit (Process Code T04; Line No. 3)
S-2	Reactivated Carbon Storage Tank
S-3	Reactivated Carbon Storage Tank
S-4	Reactivated Carbon Storage Tank
H-1	Container Unloading Hopper
H-2	Roll-off Bin Unloading Hopper

Scale 1/4" = 5'

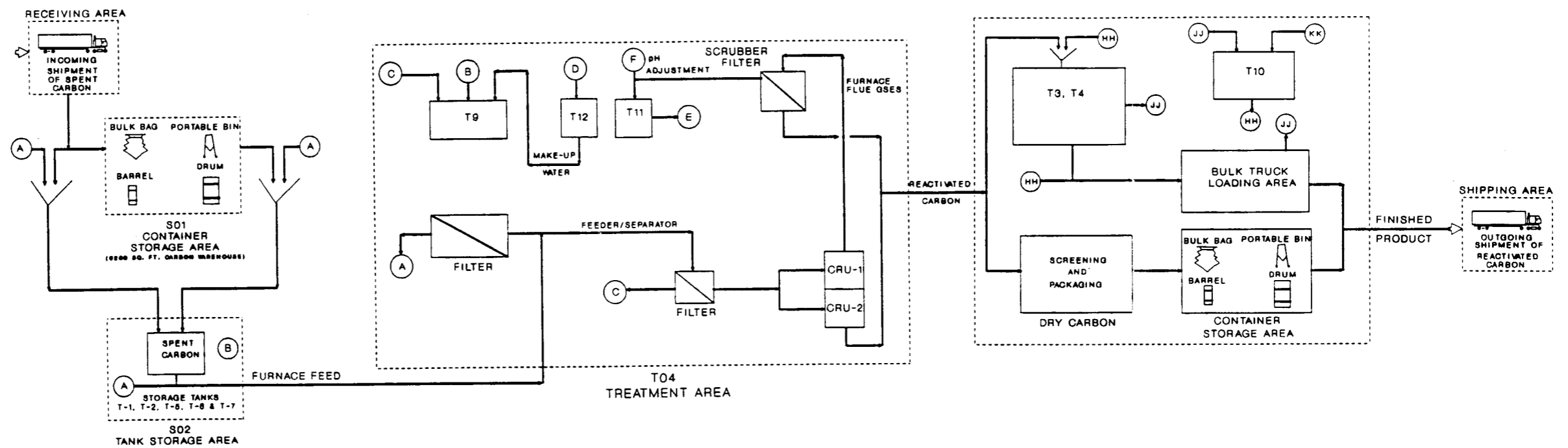
This drawing is the property of Westates Carbon, Inc. and cannot be reproduced nor delivered to others without the written permission of Westates Carbon, Inc.

WESTATES CARBON
ARIZONA, INC.

LOCATION:
2523 MUTAHAR ST.
PARKER, ARIZONA 85344

WESTATES CARBON
LOS ANGELES, CA 90040

TITLE:
GENERAL FACILITY LAYOUT
REACTIVATION FACILITIES



HAZARDOUS FLOW DESIGNATION	
A	TRANSFER WATER
B	OVERFLOW WATER-RECYCLE
C	FRESH WATER MAKE-UP
D	RAIN WATER COLLECTION FROM HAZARDOUS PROCESS AREA
E	TO INDUSTRIAL SEWER
F	pH ADJUSTMENT

NON-HAZARDOUS FLOW DESIGNATION	
HH	TRANSFER WATER
JJ	OVERFLOW WATER
KK	FRESH WATER MAKE-UP

Scale: None	WESTATES CARBON ARIZONA, INC.	WESTATES CARBON LOS ANGELES, CA 90040
This drawing is the property of Westates Carbon, Inc. and cannot be reproduced nor delivered to others without the written permission of Westates Carbon, Inc.	LOCATION: 2523 MUTAHAR ST. PARKER, ARIZONA 85344	TITLE: SCHEMATIC BLOCK PROCESS FLOW DIAGRAM
	Dwg. No. D-100606	

ATTACHMENT D

ITEM XVII -- PHOTOGRAPHS

- 1. SITE PHOTOGRAPHS**
- 2. SITE AERIAL PHOTOGRAPH**

Entrance to Facility



October 1992

Process Code S01
(identified as Line Number 1 in Section XII)

Container Storage Area



October 1992

Process Code S02
(identified as Line Number 2 in Section XII)

2 Process Feed Tanks
(Tank Nos. T-1 and T-2)

and

Process Code T04
(identified as Line Number 5 in Section XII)

Rainwater Collection Tank
(Tank No. T-12)



October 1992

Process Code S02
(identified as Line Number 2 in Section XII)

2 Process Feed Tanks
(Tank Nos. T-5 and T-6)

and

Process Code T04
(identified as Line Number 4 in Section XII)

Recycle Water Storage Tank
(Tank No. T-9)



October 1992

Process Code S02
(identified as Line Number 2 in Section XII)

1 Process Feed Tank
(Tank No. T-8)



October 1992

Process Code T04
(identified as Line Number 3 in Section XII)

Carbon Regeneration Unit
(1 of 2 units)

Bottom Section

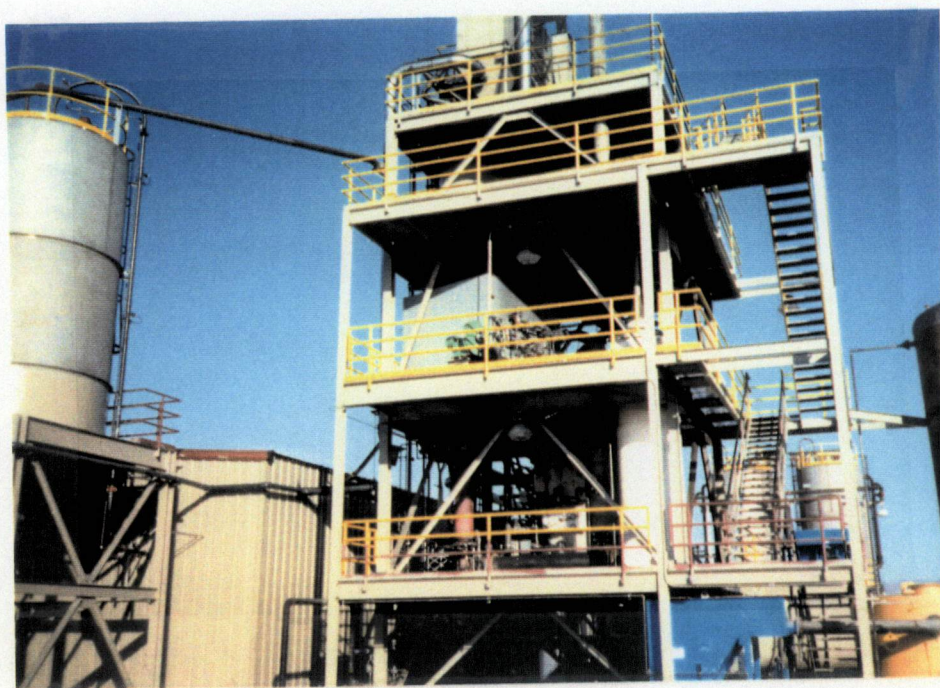


October 1992

Process Code T04
(identified as Line Number 3 in Section XII)

Carbon Regeneration Unit
(1 of 2 units)

Middle Section



October 1992

Process Code T04
(identified as Line Number 3 in Section XII)

Carbon Regeneration Unit
(1 of 2 units)

Top Section



October 1992

Process Code T04
(identified as Line Number 3 in Section XII)

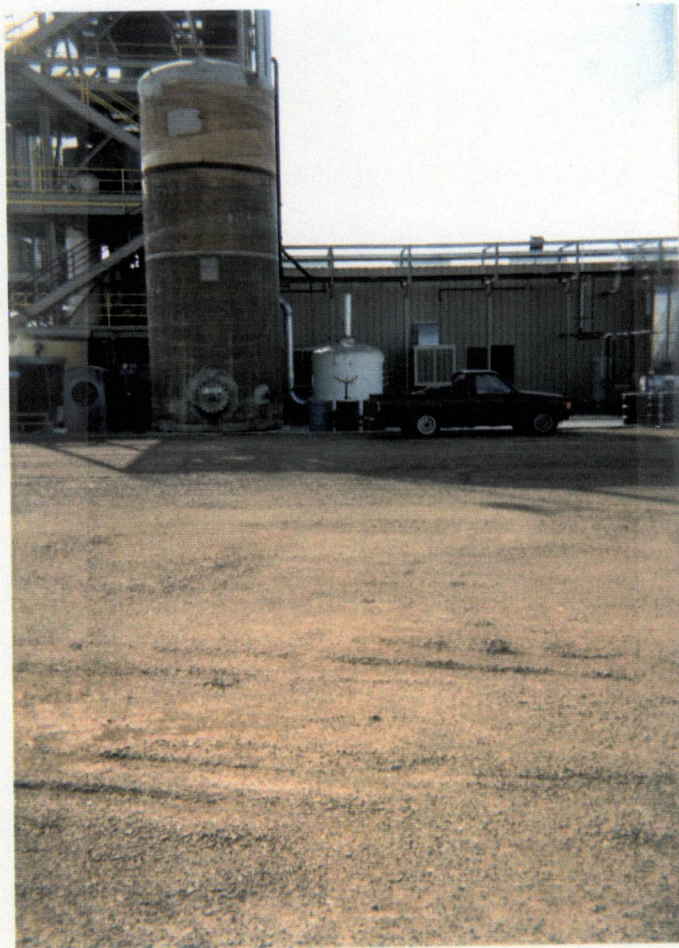
Site of second yet to be completed Carbon Regeneration Unit
(2 of 2 units)



October 1992

Process Code T04
(identified as Line Number 6 in Section XII)

Industrial Sewer Water Surge Tank
(Tank No. T-11)



October 1992